

FTSS-XX-CC-01 S-Band TT&C Feed

Suitable for TT&C applications requiring independently switchable transmit and receive polarity

Orbital Systems FTSS-XX-CC-01 feed is suitable for TT&C applications with S-Band Transmit (TX), and S-Band Receive (RX), each with independent selectable polarity.

Features

- Selectable S-Band Receive in LHCP or RHCP
- Selectable S-Band Transmit in LHCP or RHCP
- High G/T for aperture size, dual Low Noise Amplifier (LNA)
- S-Band Loopback test injection port for testing the complete S-Band reception chain
- High performance dual circular polarity with septum polarizer
- Independent Transmit and Receive polarity selection
- High isolation cavity diplexers
- Low axial ratio
- Heavy-duty aluminum enclosure, powder coated and assembled with stainless steel fasteners to eliminate external corrosion
- Feed is controlled over the Orbital Data Bus (ODB)
- Pressurized feed with temperature and humidity sensors
- Built in purge valve to ventilate the entire antenna when excess humidity is detected in the electrical cabinet or feed

S-Band Reception

S-Band Receive Frequency.....2200-2300 MHz
S-Band Receive Polarity..... Selectable LHCP or RHCP - Independent of Transmit Polarity

S-Band Transmission

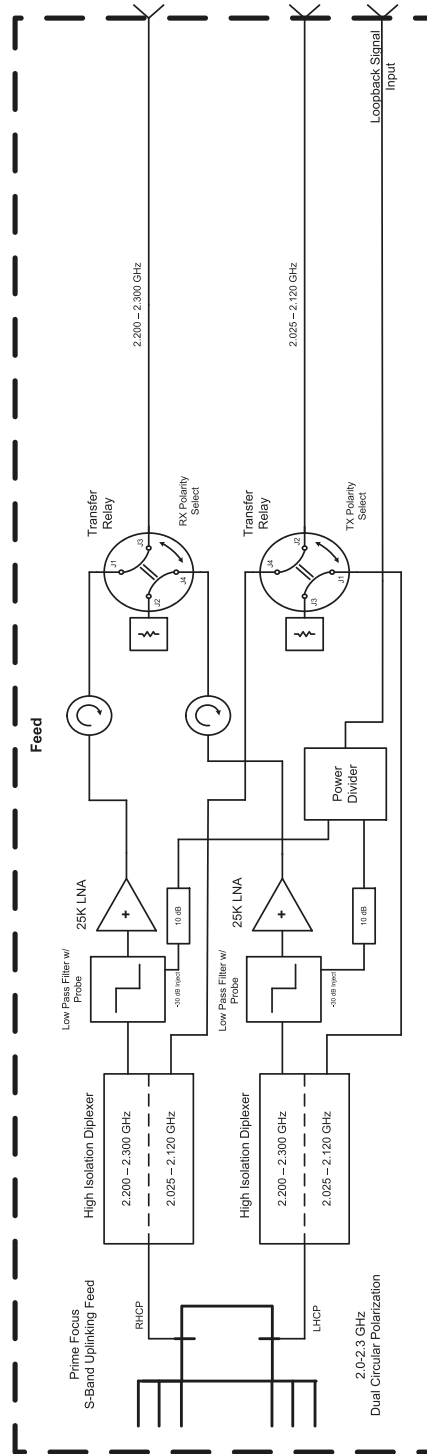
S-Band Transmit Frequency.....2025-2120 MHz
S-Band Transmit Polarity..... Selectable LHCP or RHCP - Independent of Receive Polarity



Applications

Satellite TT&C operations where the uplink and downlinks are S-Band and Selectable Polarity is required.

- S-Band RX in LHCP or RHCP
- S-Band TX in LHCP or RHCP



	
FTSS-XX-CC-01	
www.orbitalsystems.com	
Proprietary Information	31 December, 2013 B.4



Document Number: MA 130-010, rev C.03
 ©Orbital Systems LLC 2020 - Patents Pending, 2013 - 2020
 Prices and specifications are subject to change without notice